

Canyon Island-Billiard Light Series

The Canyon Exterior Sconce series is available in two sizes: Small and Large. There are five artwork cutout available, plus rustic plain. Each pattern is handcut around the bottom of the cone, so they will vary from the samples shown. The stems have an adjustment range of 13 inches. Measurements shown reflect the minimum height (add 13" to get the maximum height without extensions sold separately.)

Finish Choices:

02-14-27-28-29-47-95-97

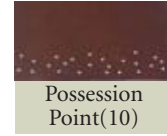
	Small A452	Large A453	Shallow A455
Dimensions:	30h x 9w x 36l	31h x 12w x 44l	28h x 14w x 45l
Lamping:	(3) 100W	(3) 100W	(3) 100W
Image Choices:			
Rustic Plain	A45201	A45301	A45501
Deception Pass	A45202	A45302	A45502
Possession Pt	A45210	A45310	A45510
Mountain	A45241	A45341	A45541
Mtn/Pine	A45245	A45345	A45545
Pueblo	A45284	A45384	A45584



Rustic Plain (01)



Deception Pass (02)



Possession Point (10)



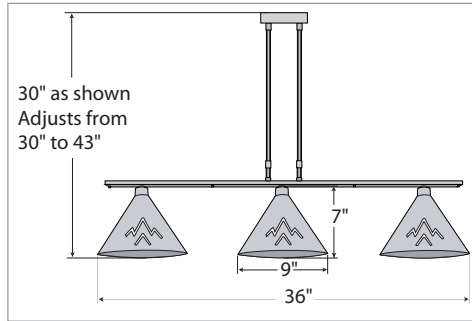
Mountain (41)



Mountain/Pine (45)

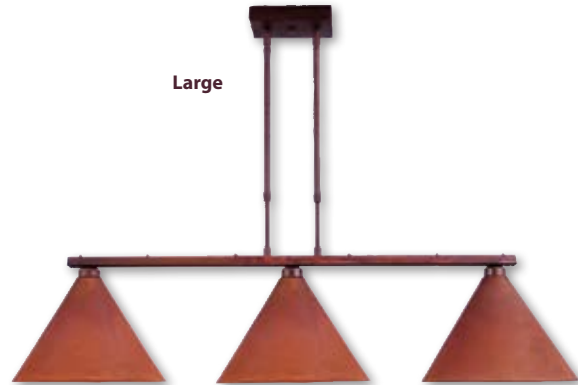
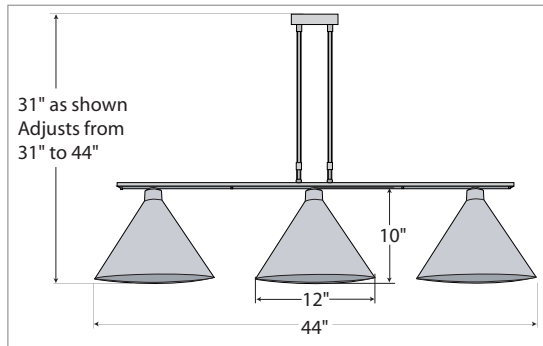


Pueblo (84)



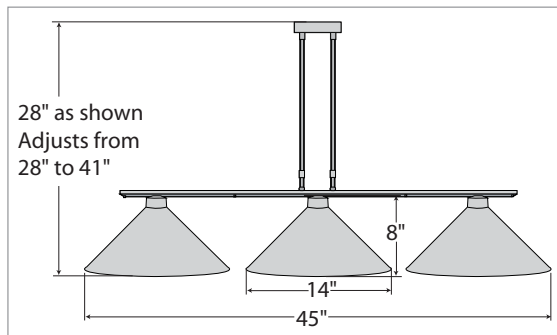
Small

Pictured: A45202-27



Large

Pictured: A45301-02



Shallow

Pictured: A45501-02